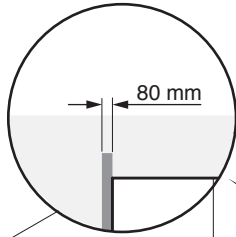
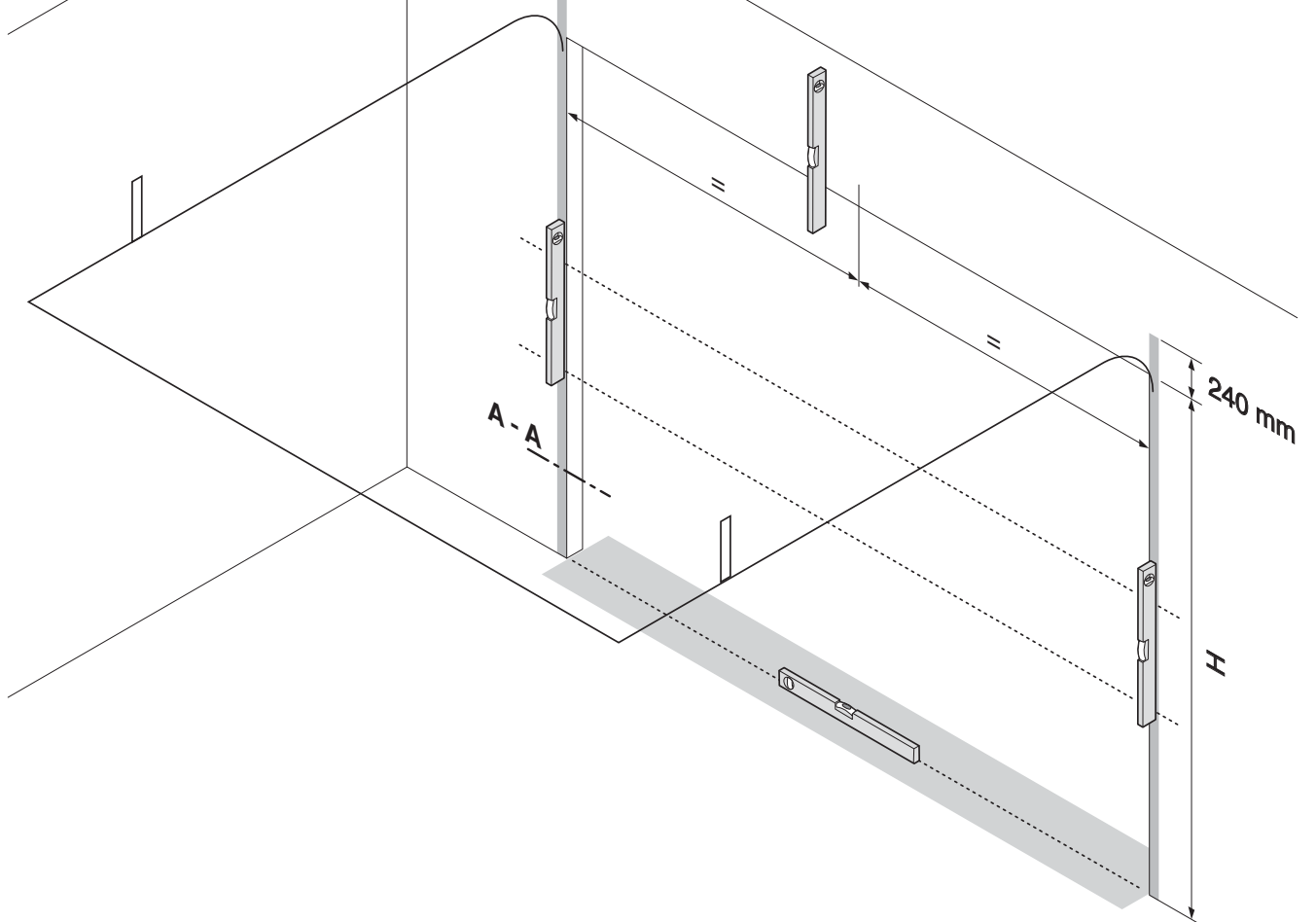


L+R



80 mm



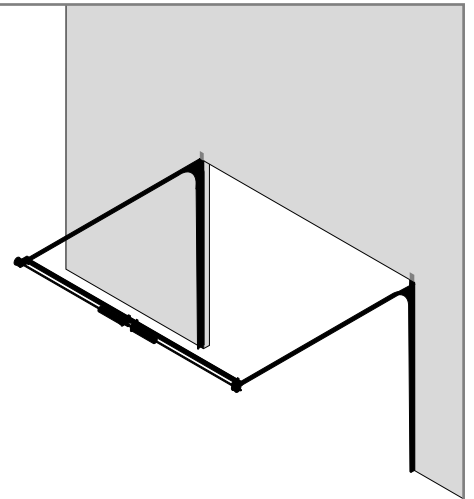
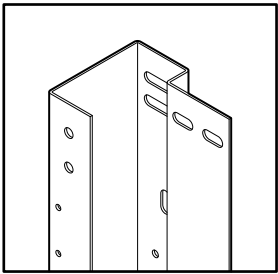
A - A

240 mm

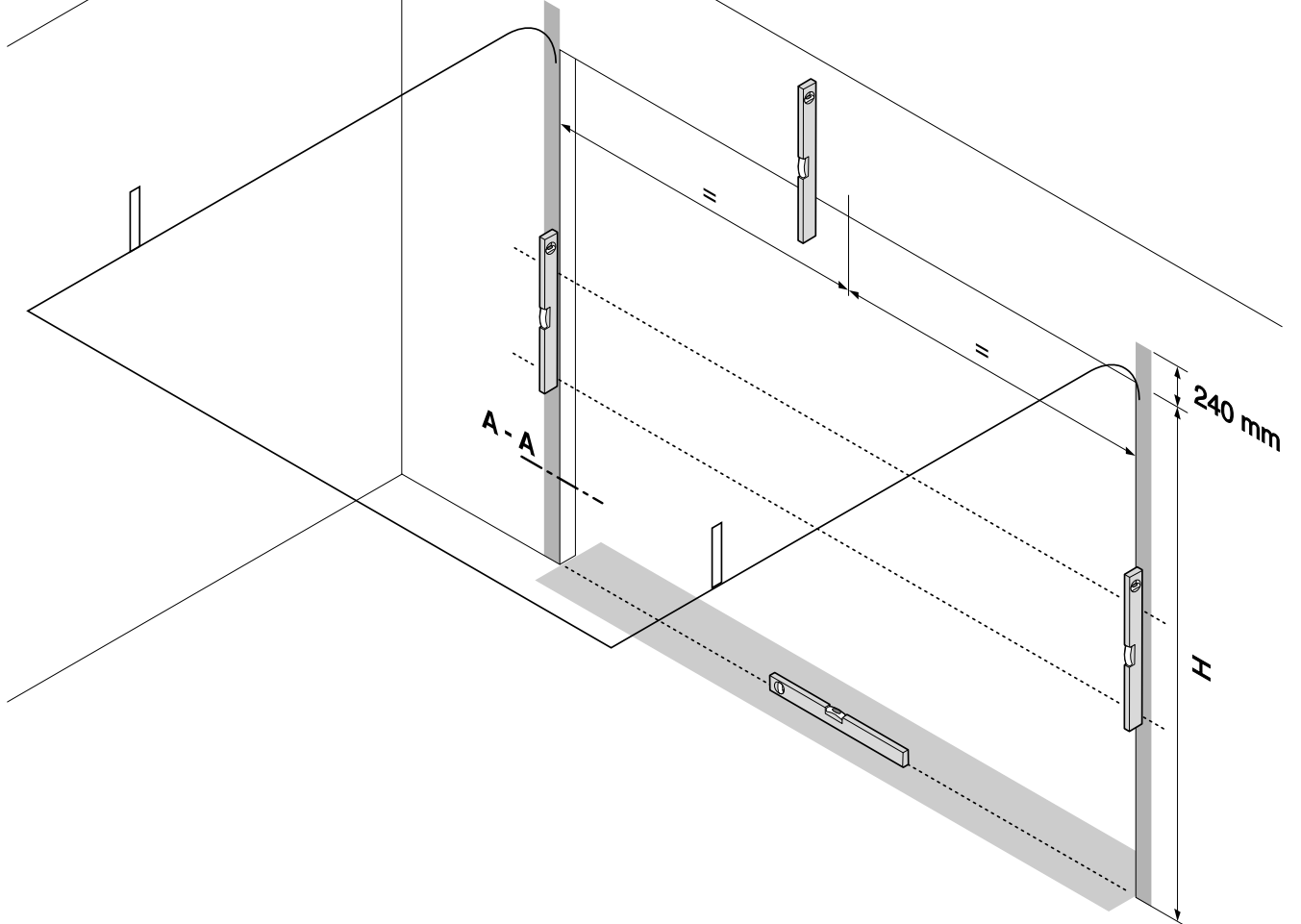
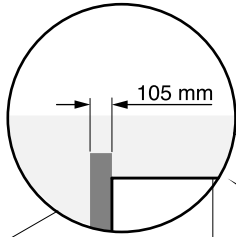
H

A - A





L+R

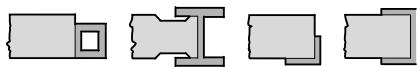


A - A

240 mm

H

A - A

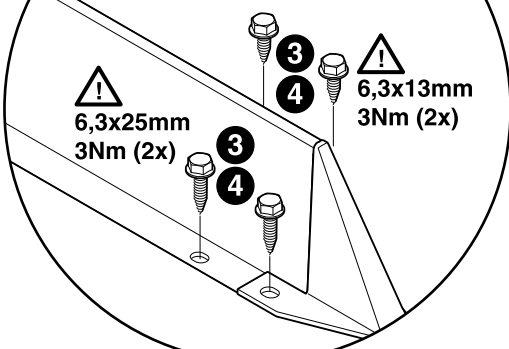
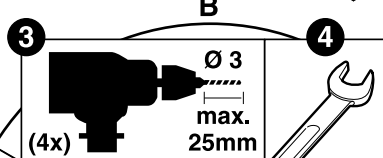
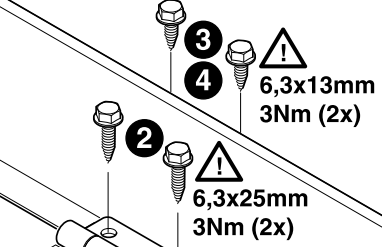
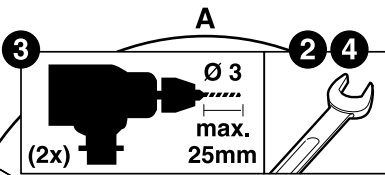
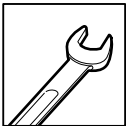
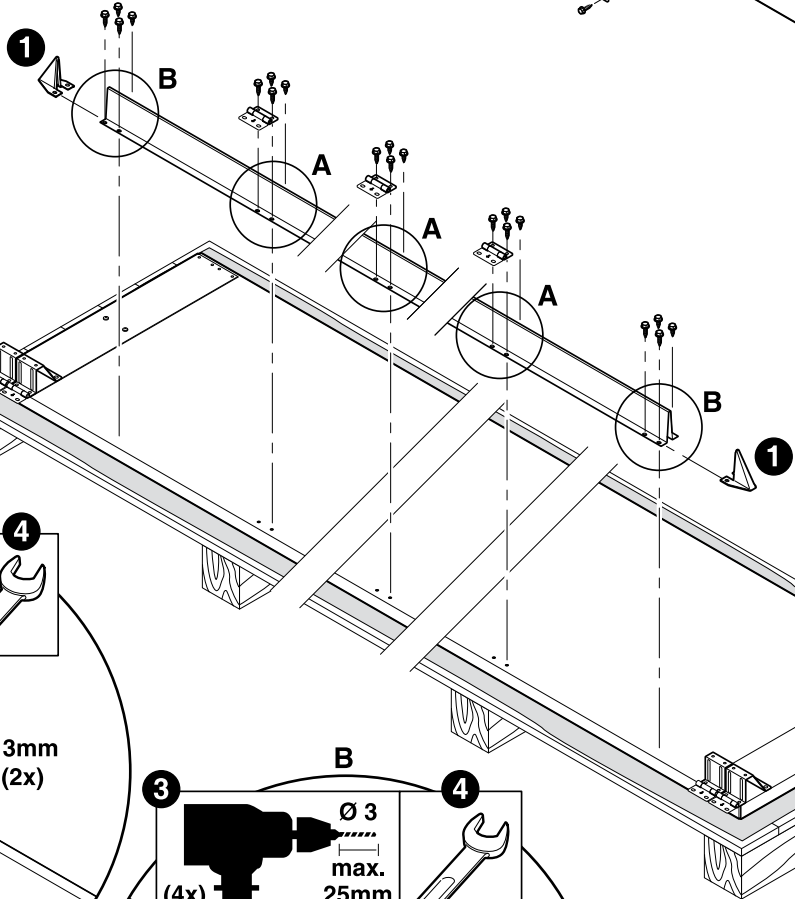
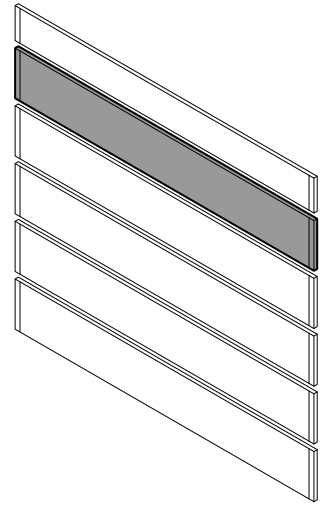


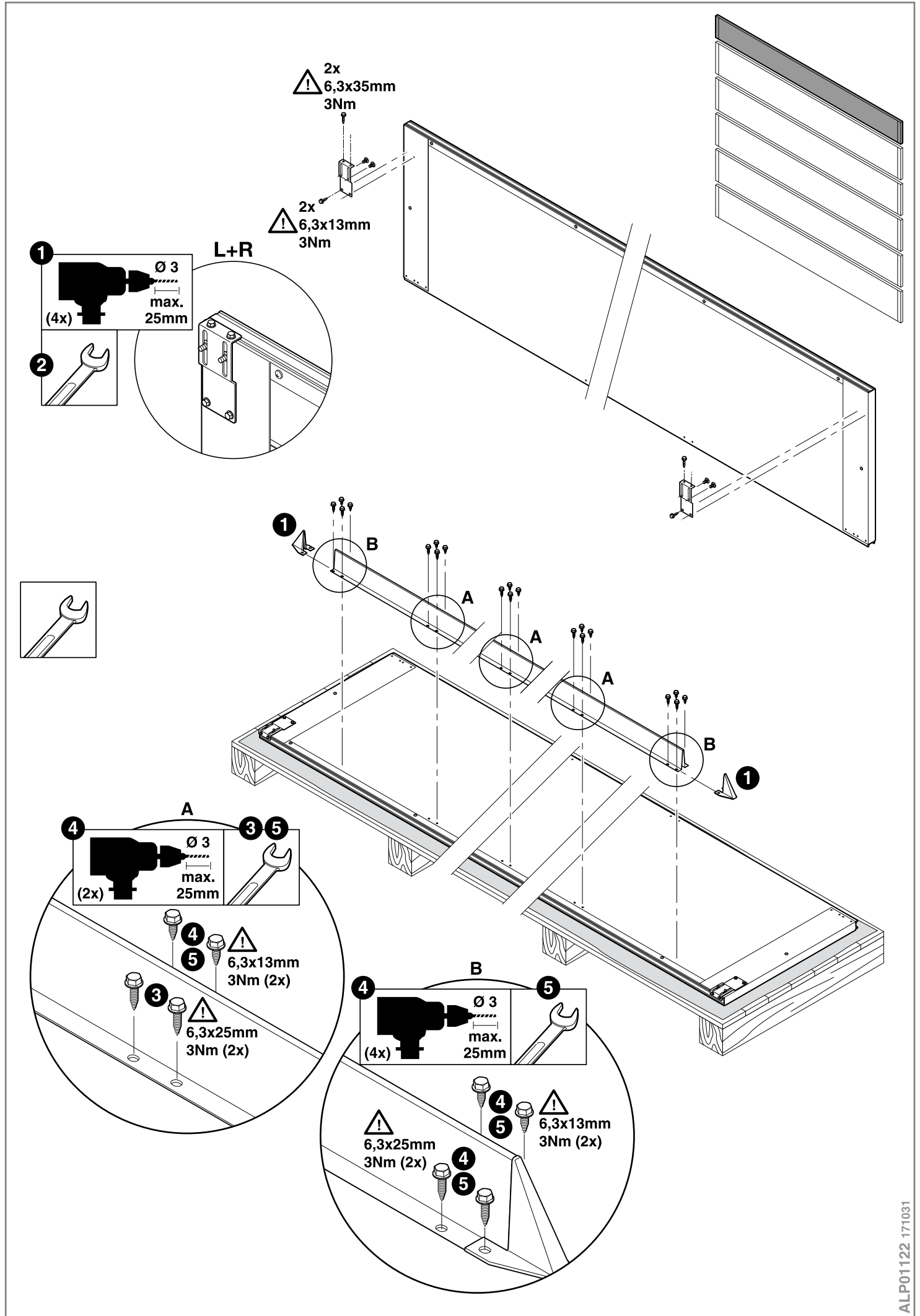


4x
⚠ 6,3x35mm
3Nm

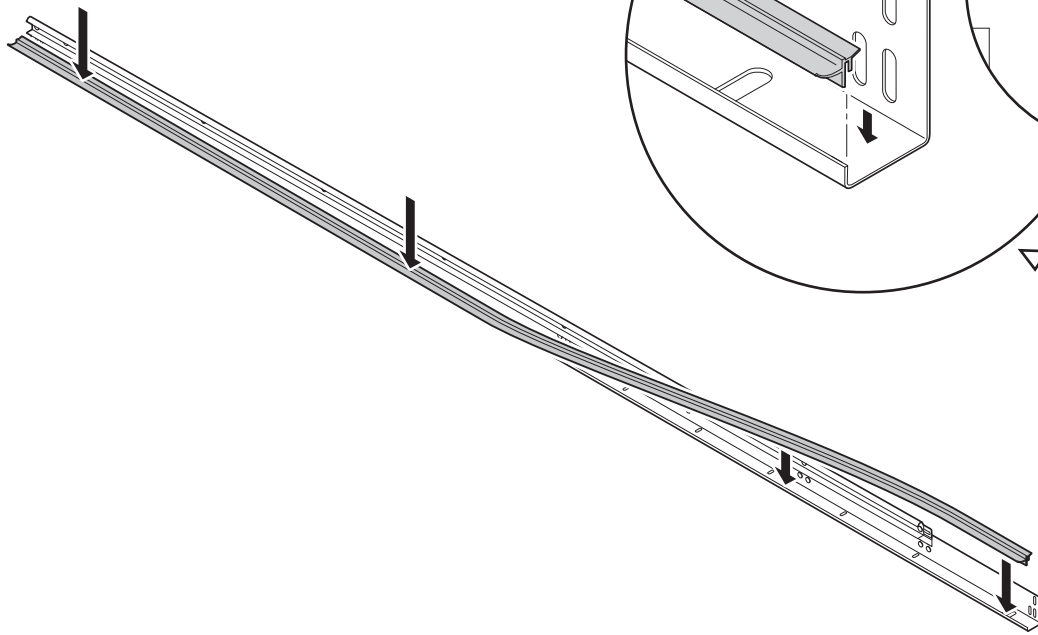
4x
⚠ 6,3x13mm
3Nm

2x
⚠ 6,3x25mm
3Nm

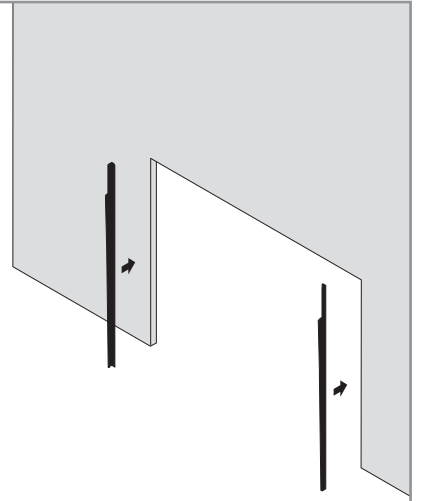
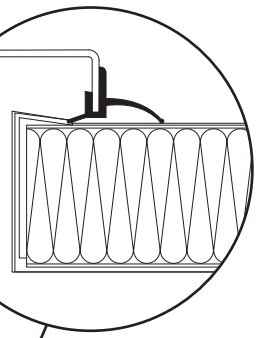
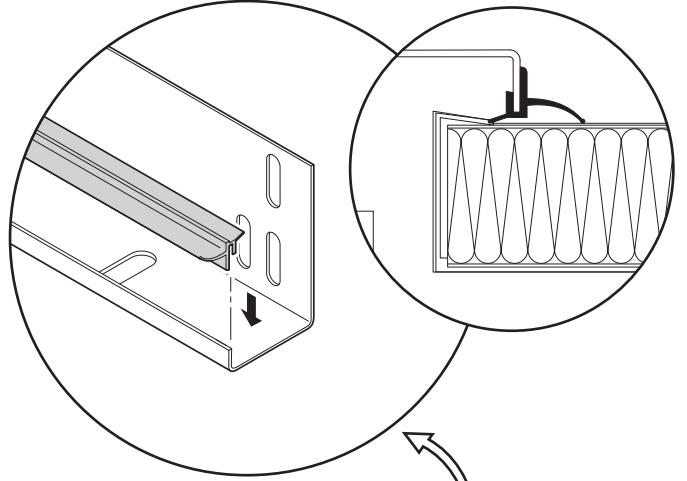


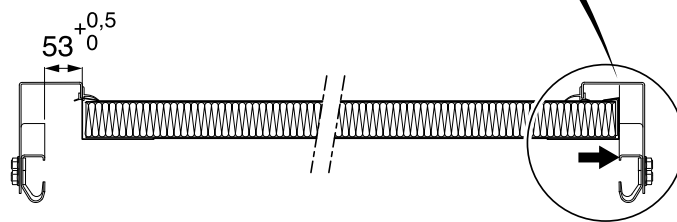
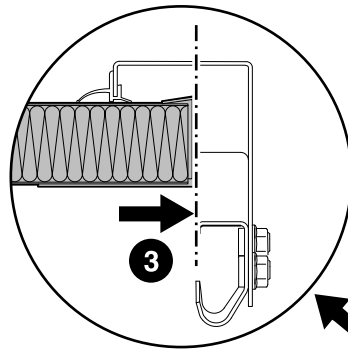
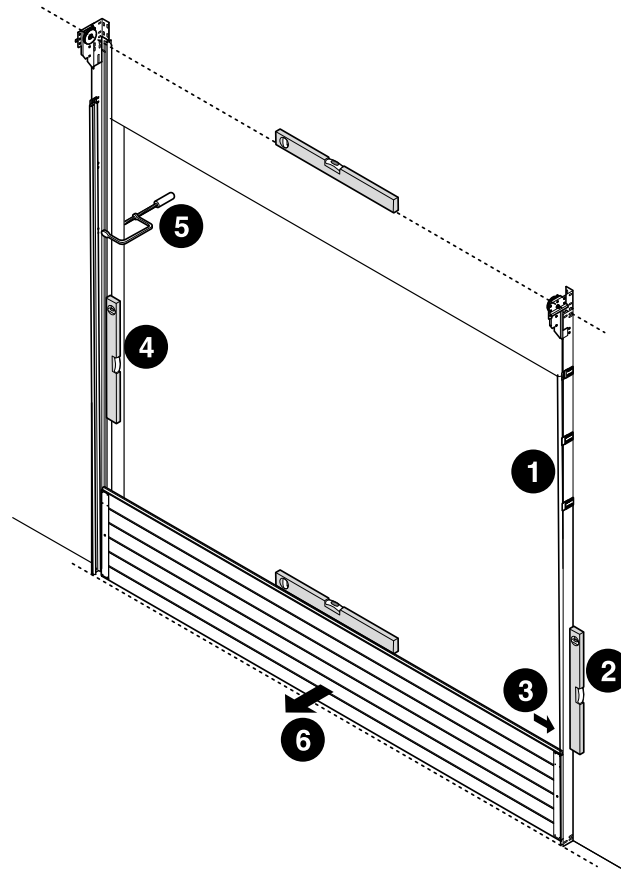
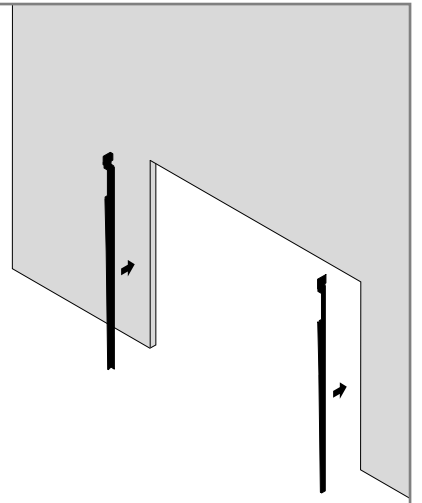
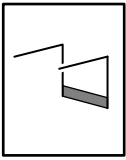


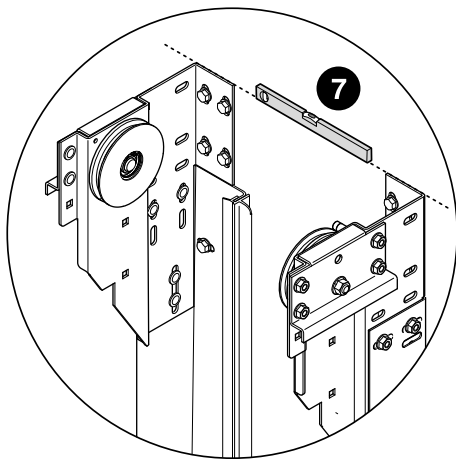
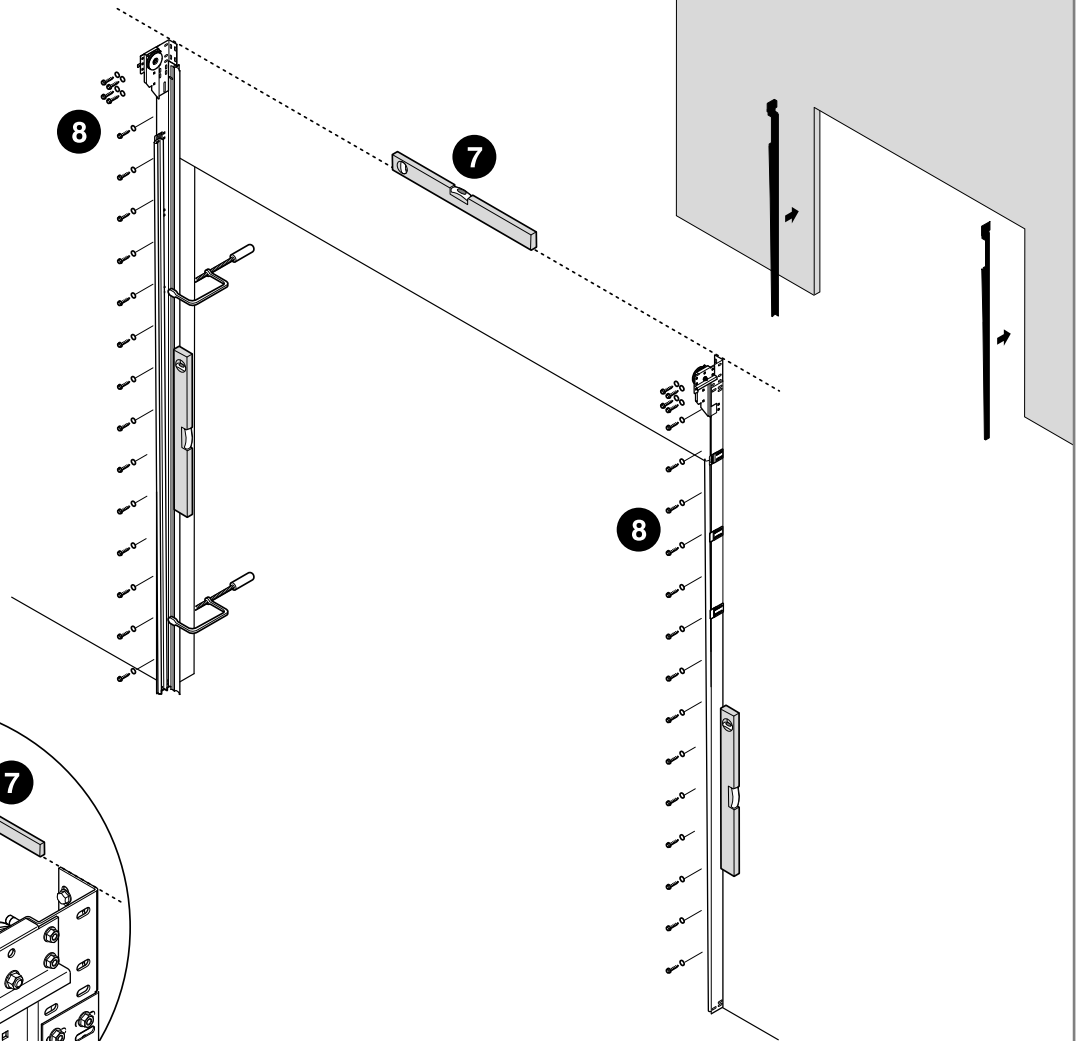
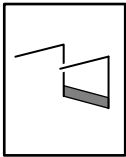
L+R



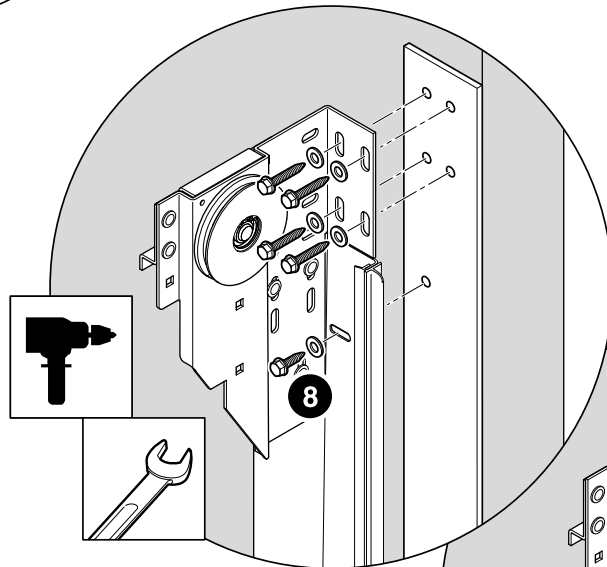
L+R



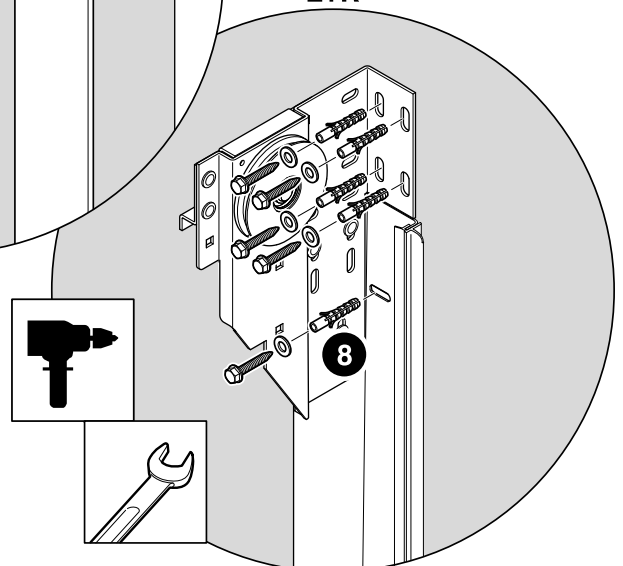


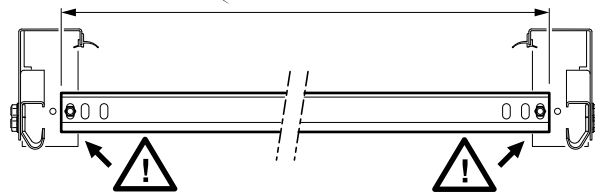
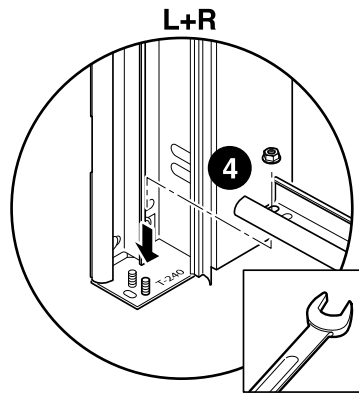
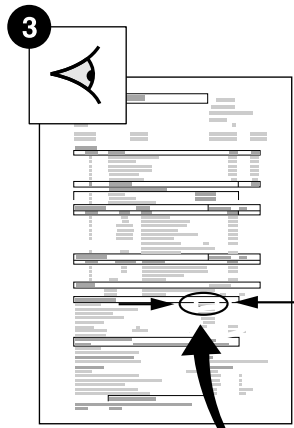
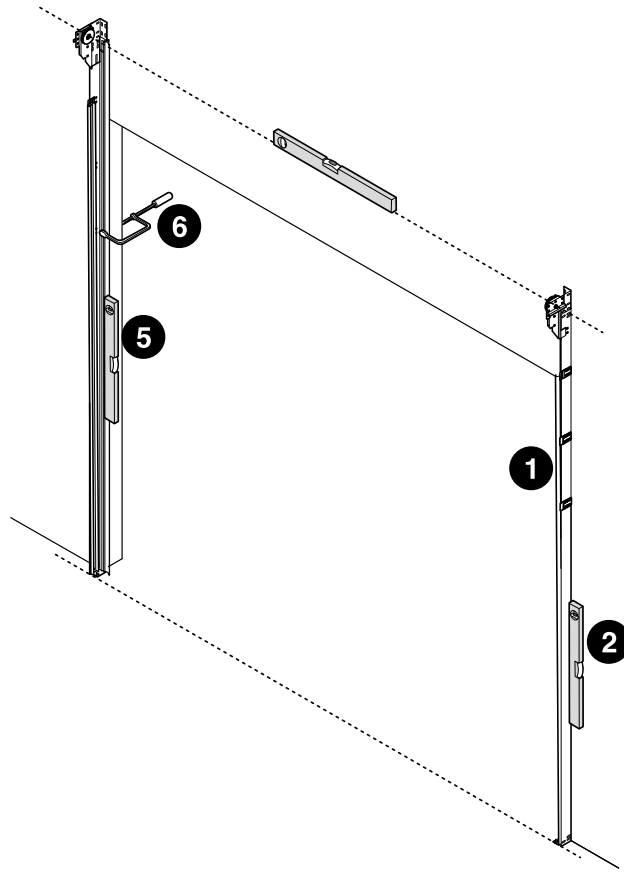
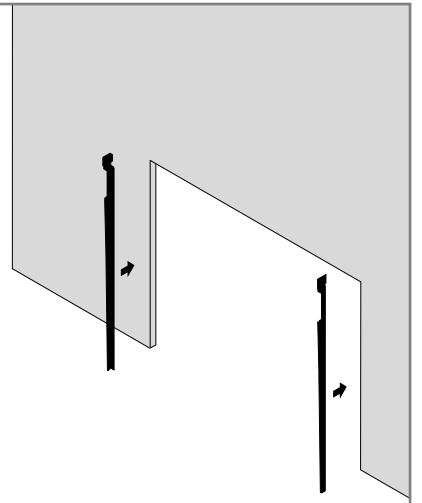
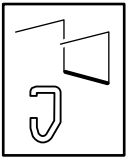


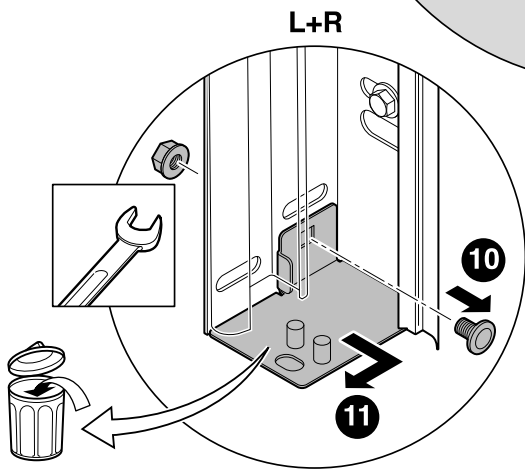
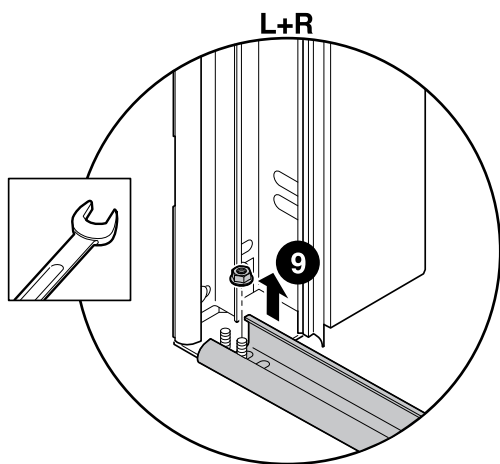
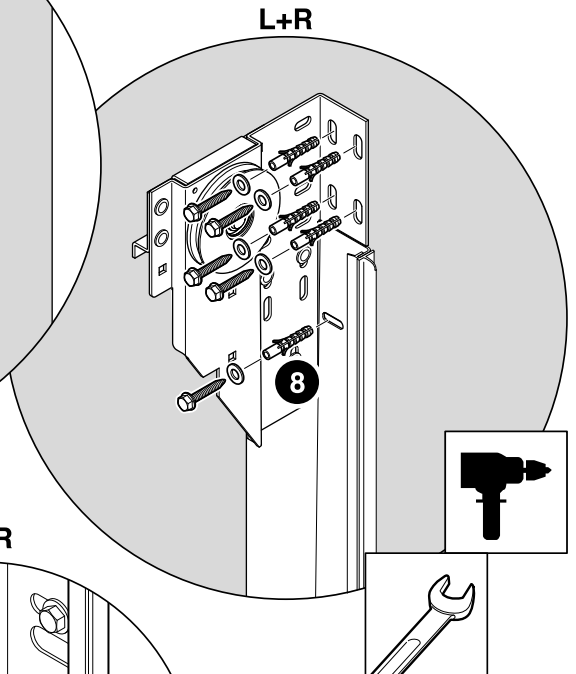
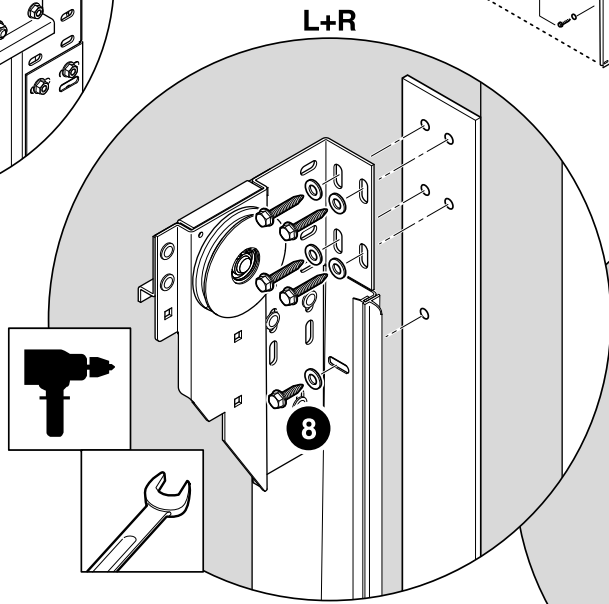
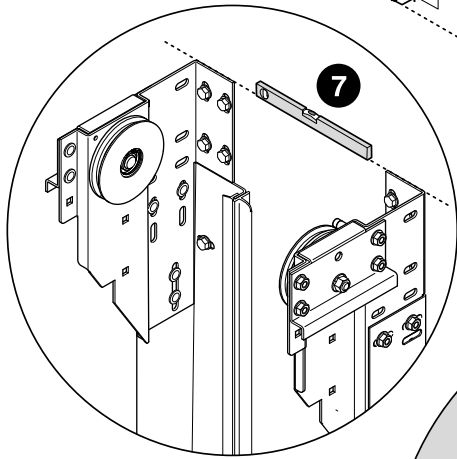
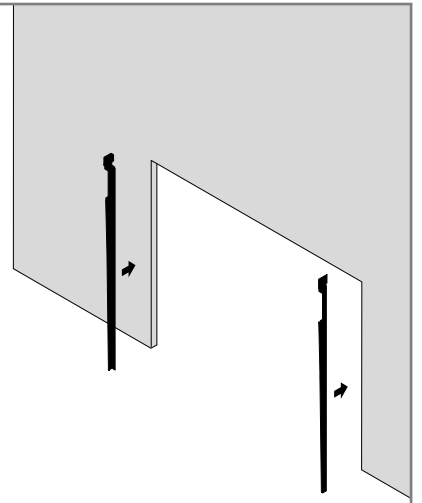
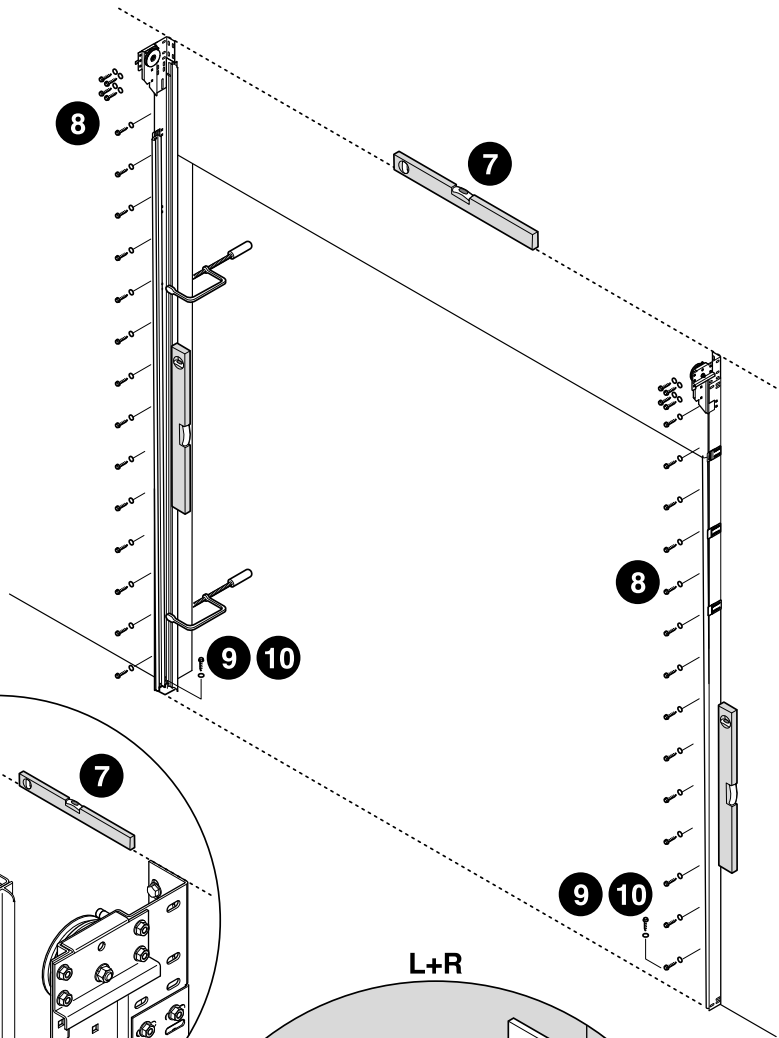
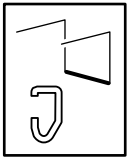
L+R

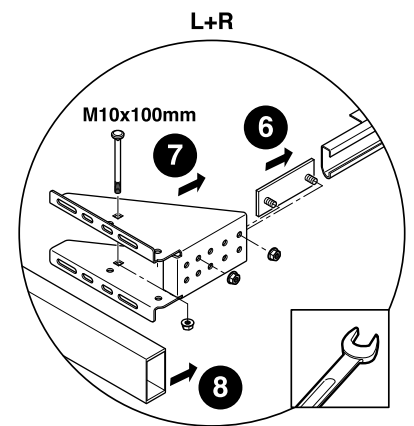
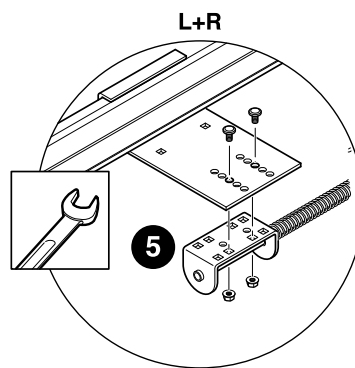
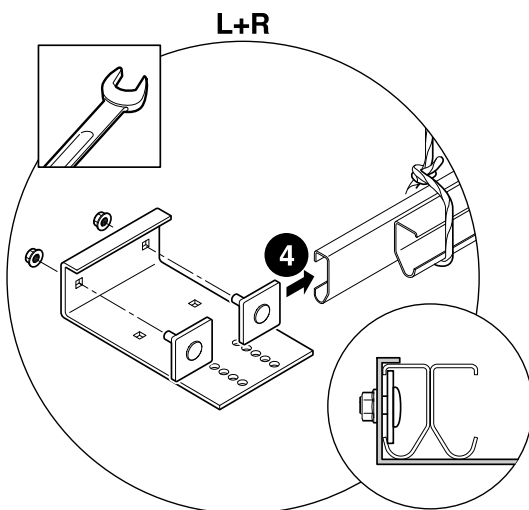
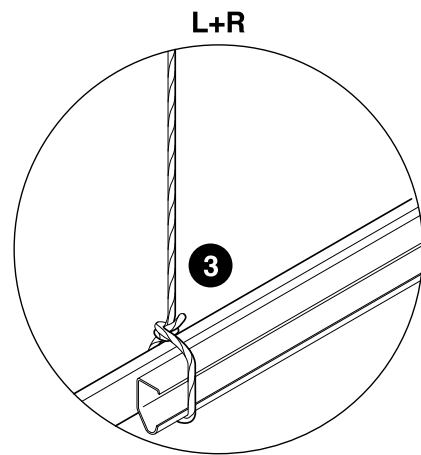
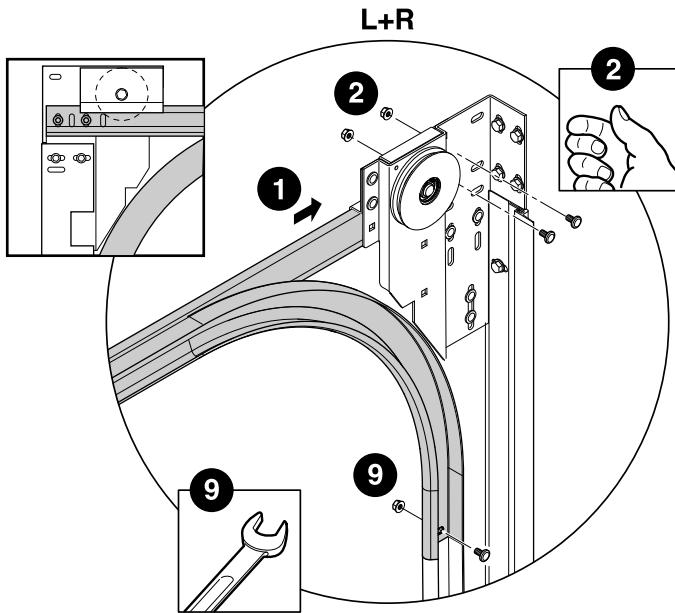
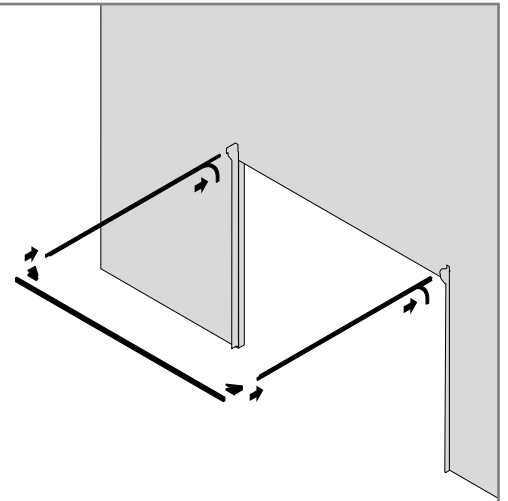
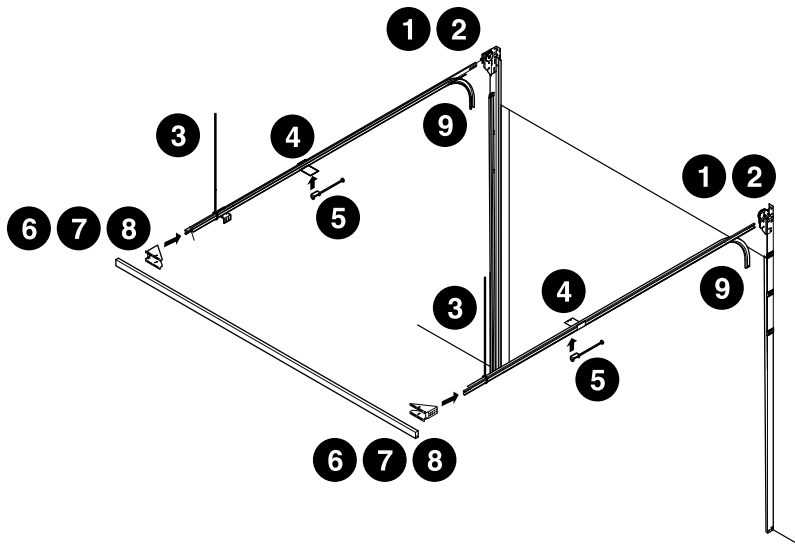
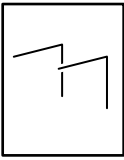


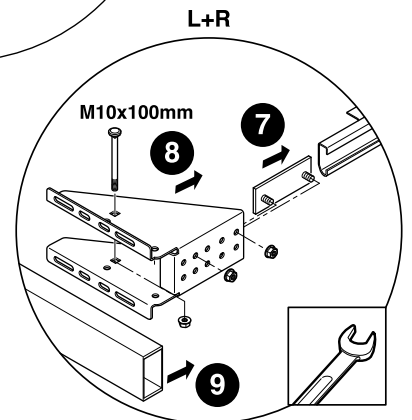
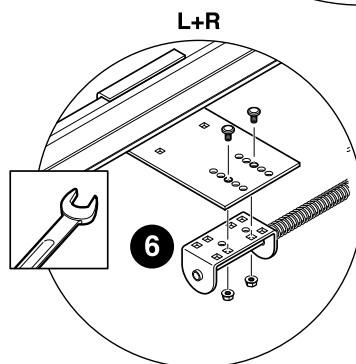
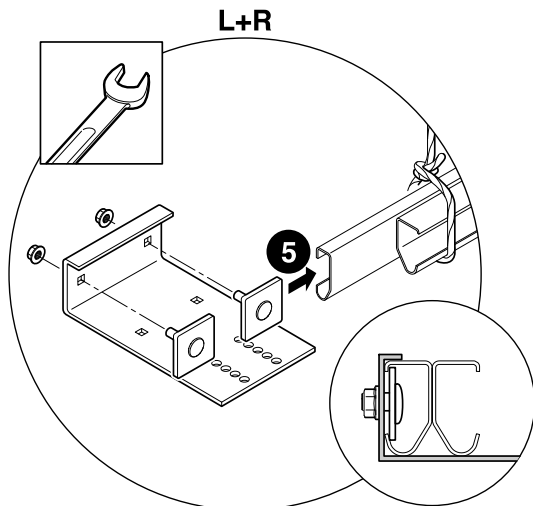
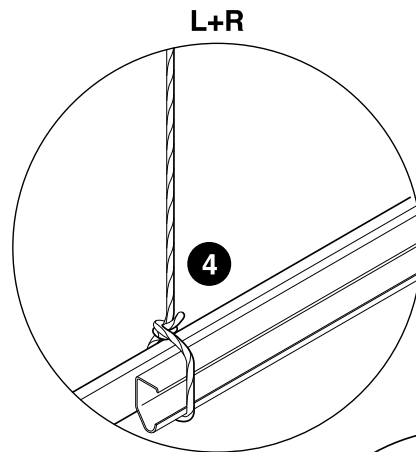
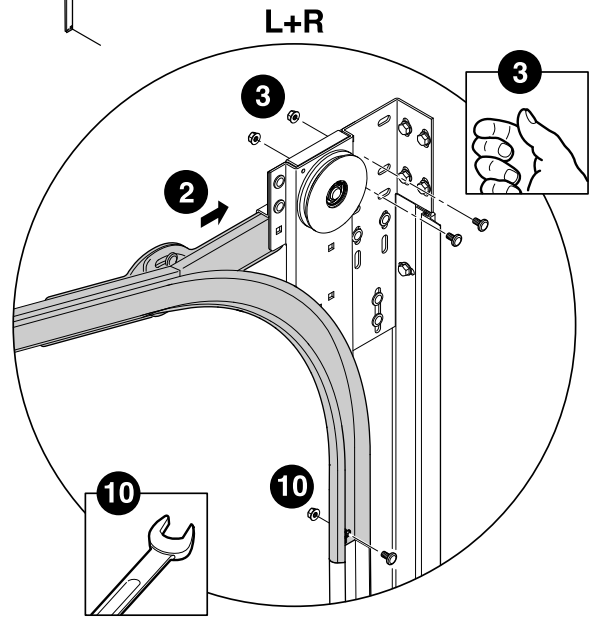
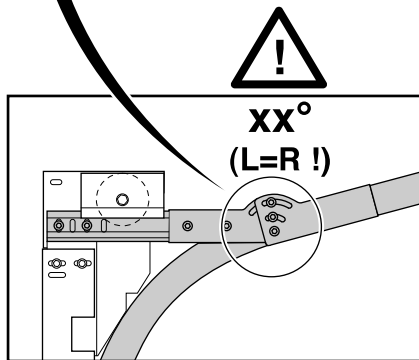
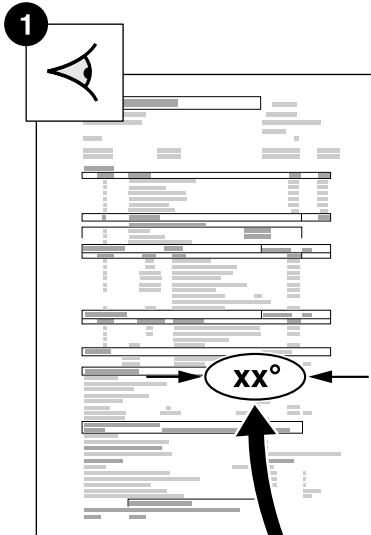
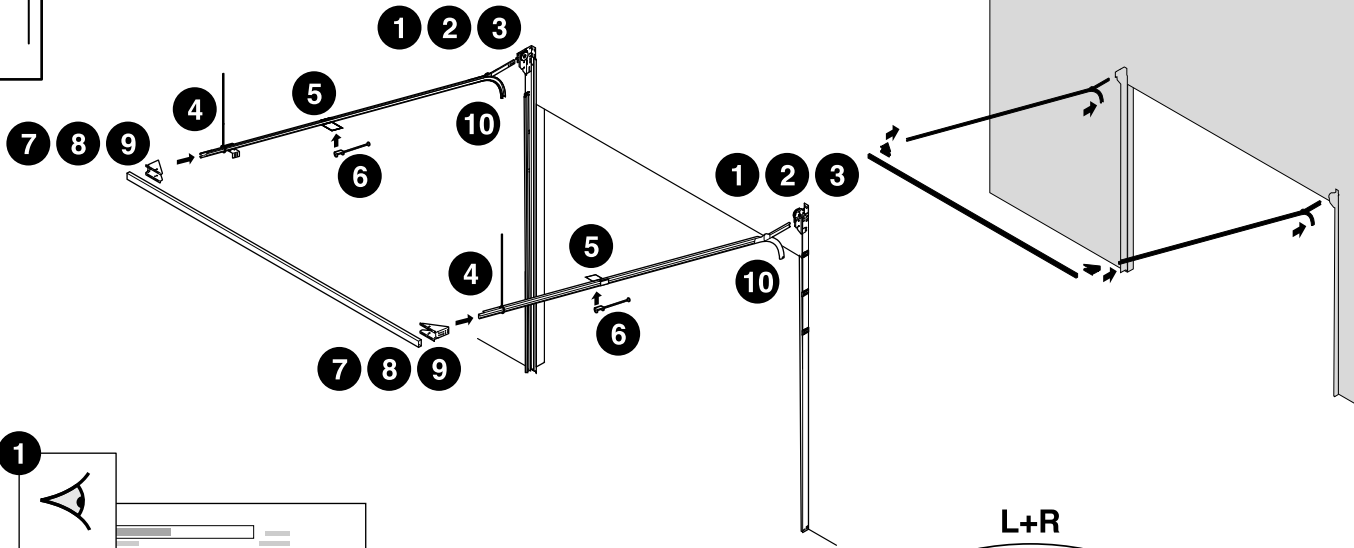
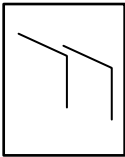
L+R

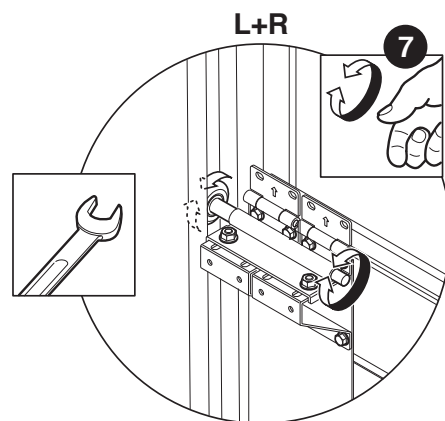
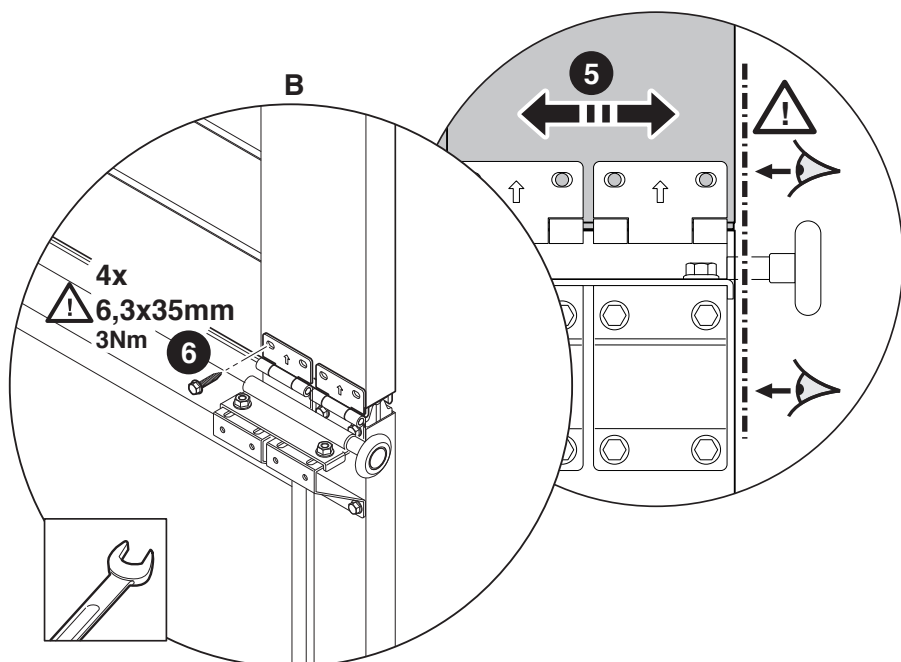
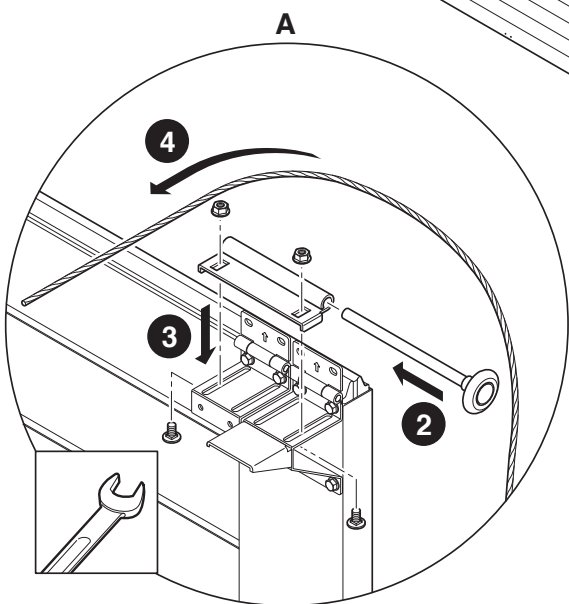
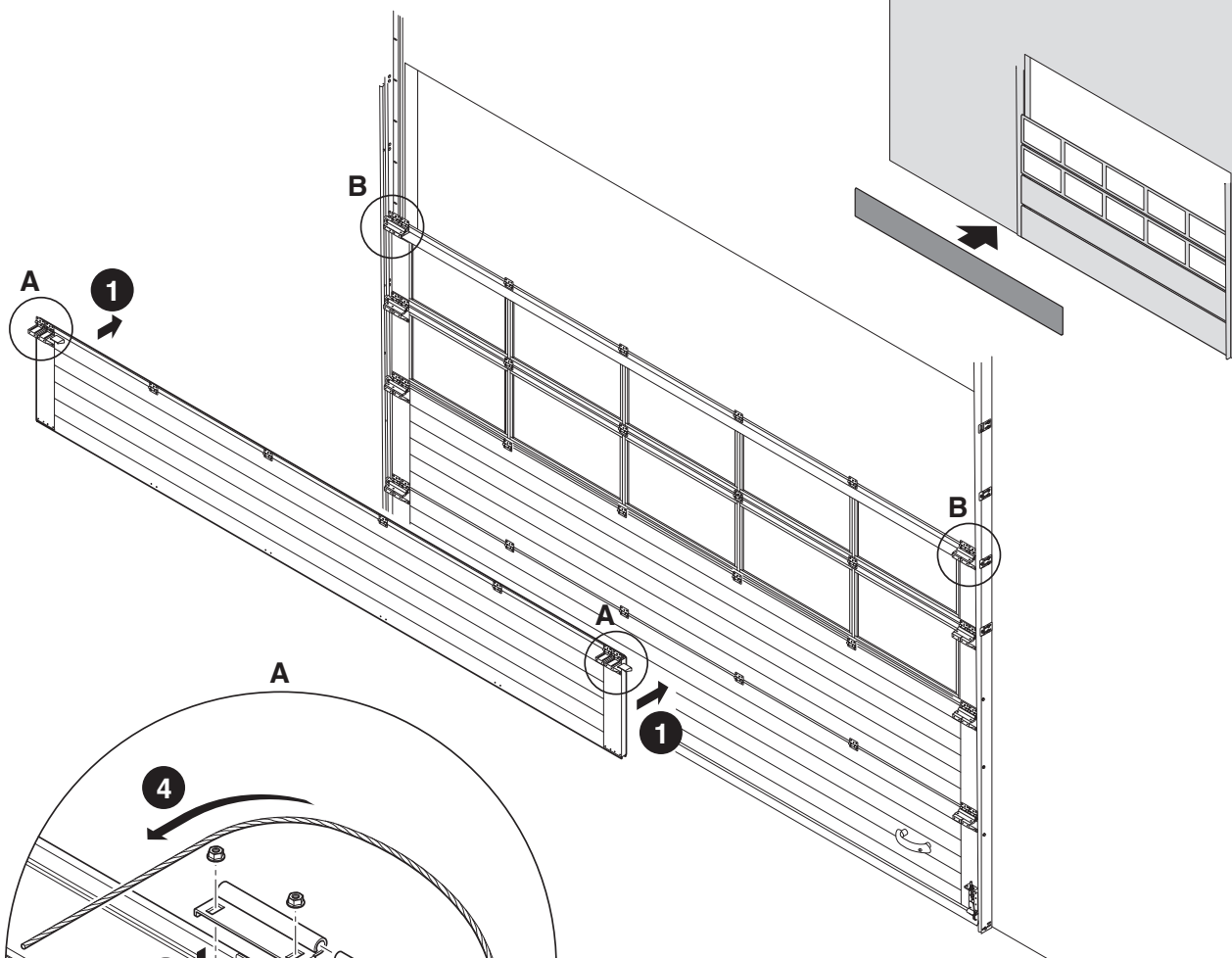


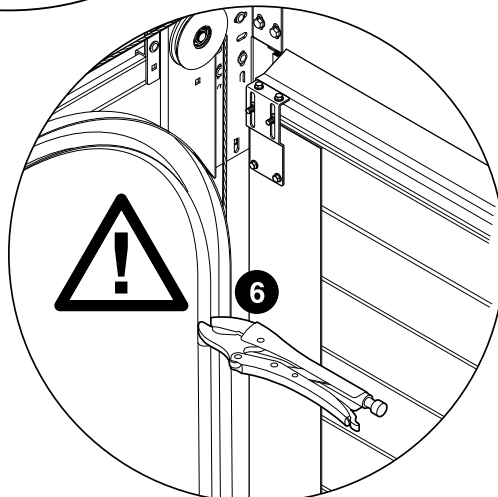
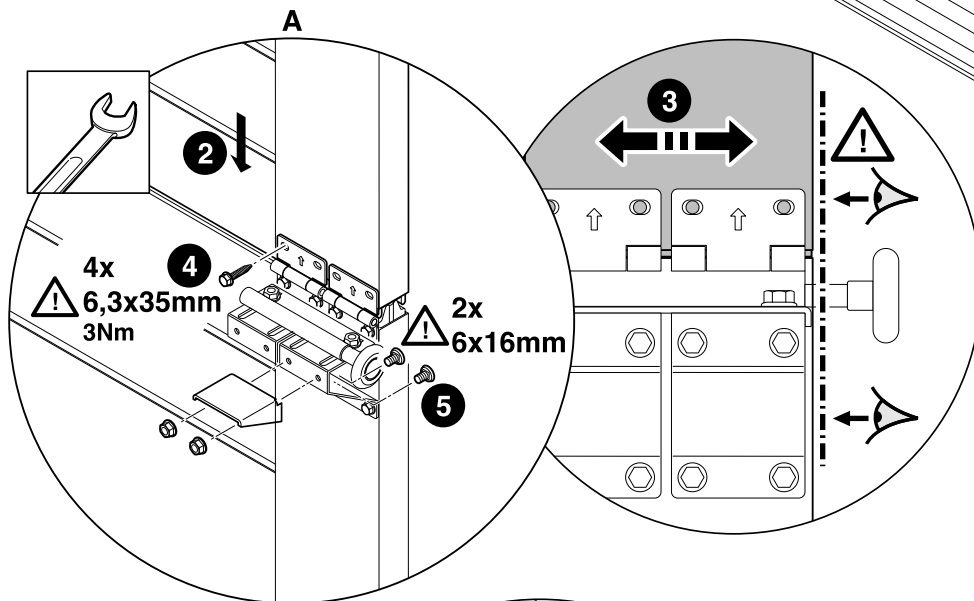
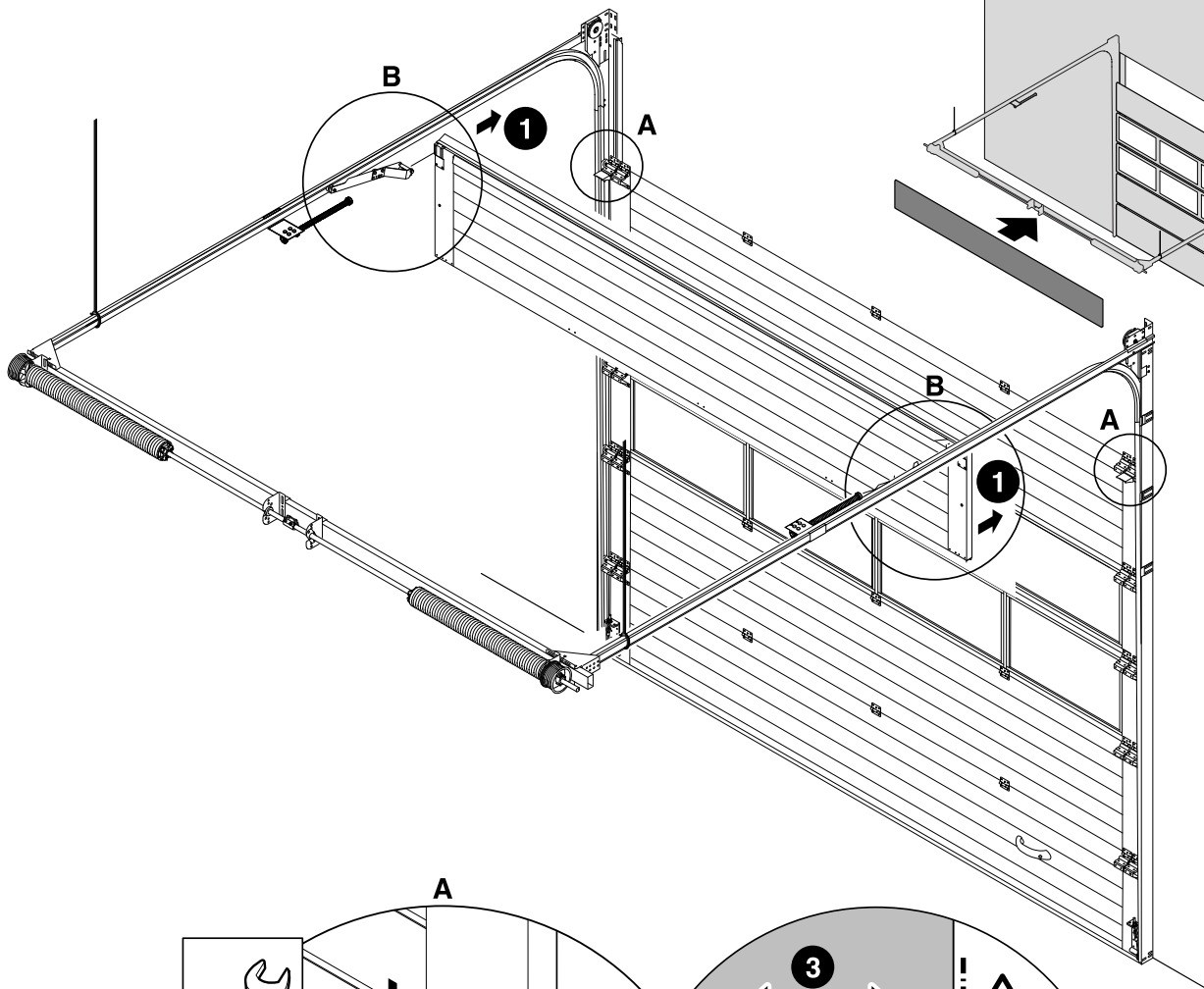


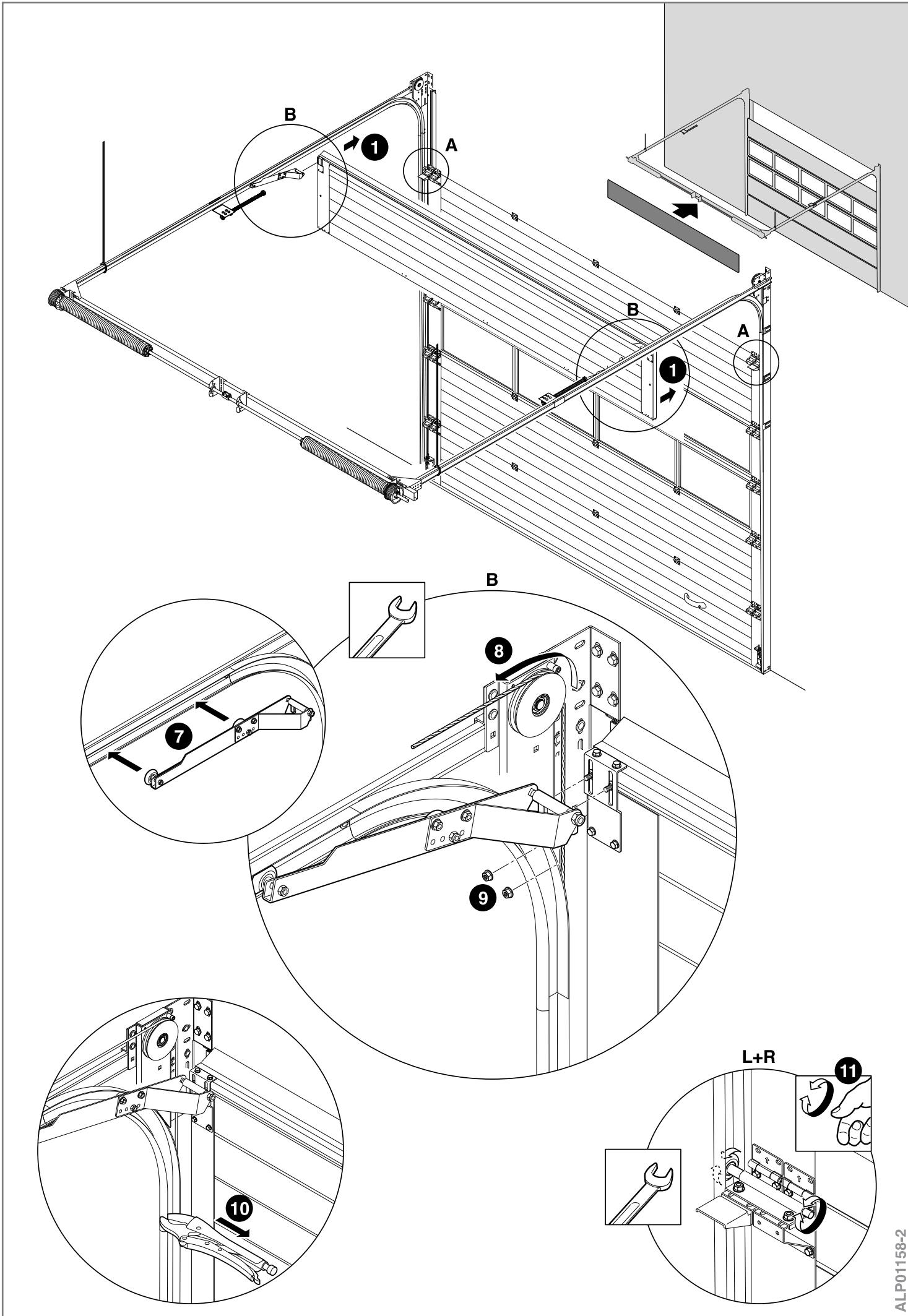


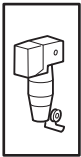




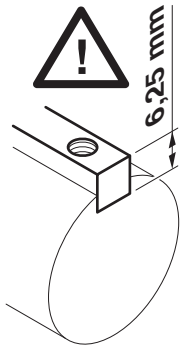








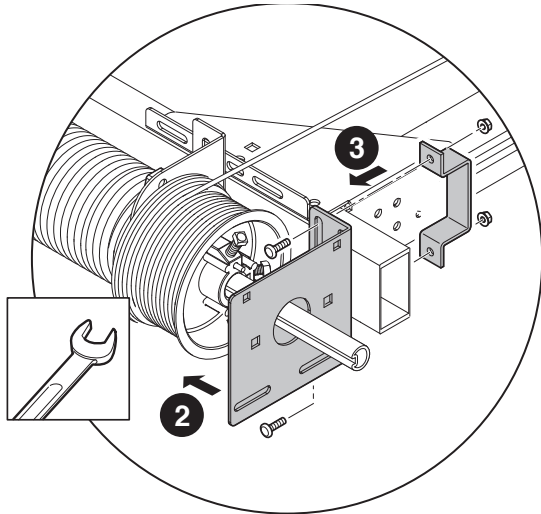
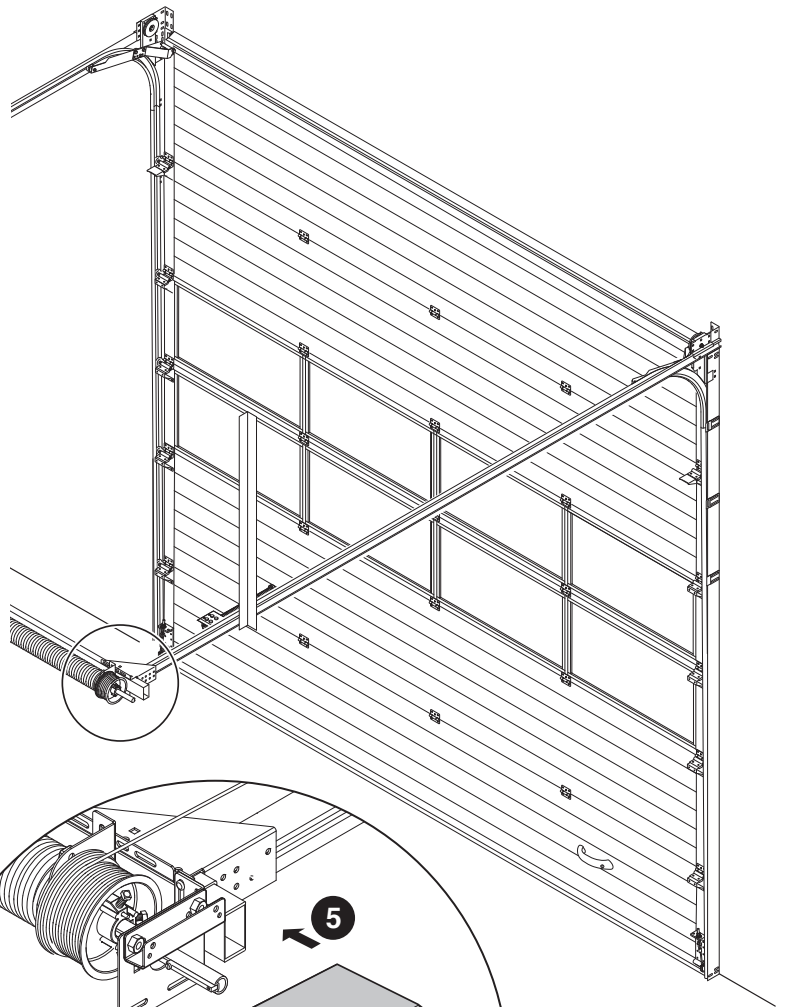
1



6,25 mm

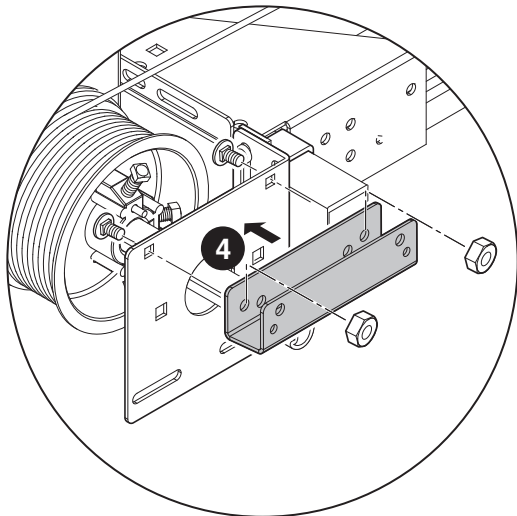


9,25 mm

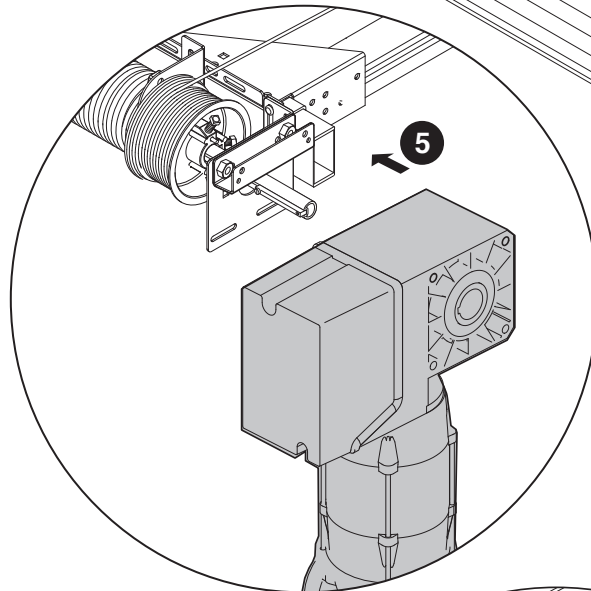


3

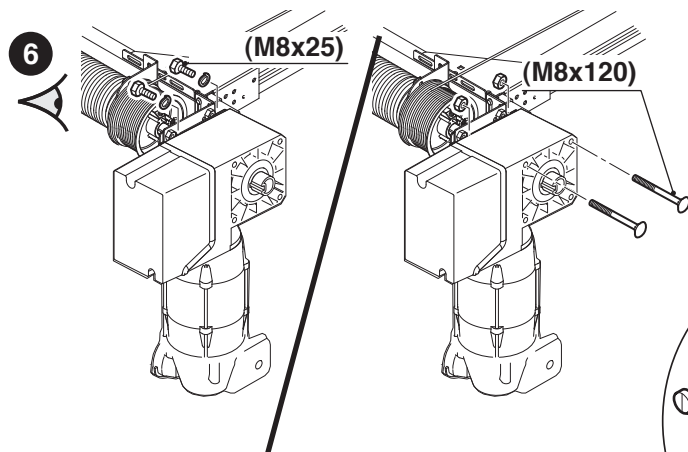
2



4



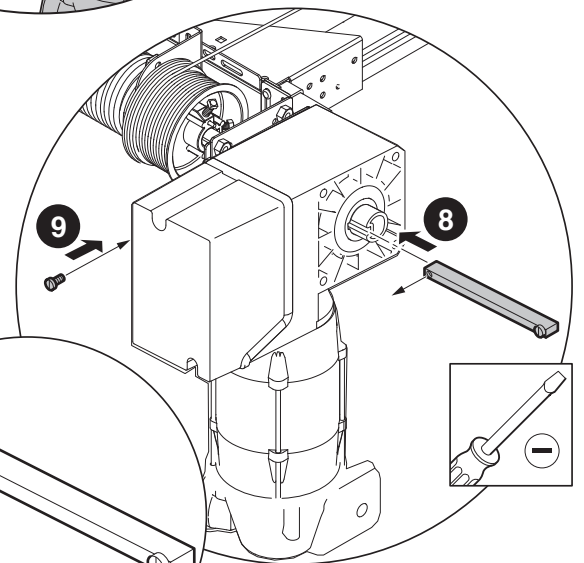
5



6

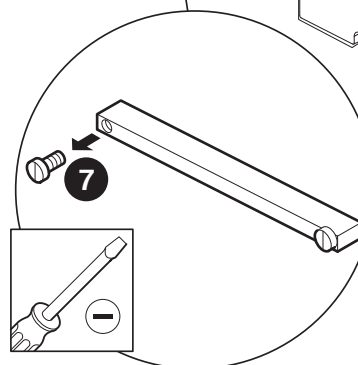
(M8x25)

(M8x120)

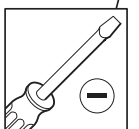


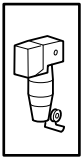
9

8



7





1

